

■ **EXCEPTIONALLY FAST**

Two doors in one, high speed for quick access and high strength for security. Opening speeds of up to 42" per second. Closing speed up to 21" per second. Optional two-speed motor.

■ **ULTIMATE DURABILITY**

Electric direct drive power system for speed and long life. Side guides are lined with high density PVC and rigid, anodized aluminum slats have nylon windlocks and wind guides, eliminating metal-to-metal contact between side guides and slats. No need for roller wheels or other high wear, high maintenance parts. No springs or complex tension systems inside columns reducing maintenance costs.

■ **MAXIMUM SECURITY**

The Hydrarol rigid roll-up door is ideal for any area requiring high security. With its rigid slat design, operating speeds of up to 42" per second and reliable operation in the highest cycle applications, the Hydrarol provides the ultimate in protection for your facility.

■ **ENERGY EFFICIENT**

Maintaining climate control and reducing energy costs in any facility can be a major challenge. The Hydrarol's insulated slats and high speed operation, will significantly lessen air exchange and reduce energy consumption.

■ **INNOVATIVE DESIGN**

With its low profile header and side guides, and electric direct drive operator that can be mounted in a variety of configurations, the Hydrarol 109E is ideal for applications with limited headroom and tight side clearances. The curved panel profile, enables the door to roll into a space saving, compact drum.

■ **CUSTOM SYSTEMS**

Marathon door systems are designed and precision manufactured at our corporate location in Milwaukee, Wisconsin. This means we are able to handle custom requests and suit almost any application. Whether it is a custom color, a special window configuration, activation requirement or, a size that defies standard offerings, we can build a door that will compliment your building's design.

# MODEL 109E

HYDRAROL™ High Speed Low Profile Rigid Roll-Up Door Direct Drive Operation

**MODEL 109E POWER**



Innovative Design. Superior Performance. Exceptional Value.

## MARATHON HIGH SPEED, HIGH CYCLE DOORS, DESIGNED FOR THE LONG RUN.

Marathon Hydrarol rigid roll-up doors are designed to provide high speed operation, high cycle life and minimal maintenance for outstanding security and performance.

Featuring an innovative design that eliminates the need for roller wheels, belts, cables, extension springs and other costly, high wear, moving parts, the Hydrarol provides worry-free operation over hundreds of thousands of cycles.

With its curved panel profile and low profile header, the Hydrarol 109E is ideal for applications with limited headroom and tight side clearances. High speed operation enables quick entrances, exits and quick close down of area. Reliable operation means lower maintenance costs and greater over-all security.

*Hydrarol: higher security, lower operational costs, greater value.*

**HIGH PERFORMANCE DOORS FOR THE LONG RUN**

Marathon Doors | An ASI Technologies, Inc. Company  
5848 North 95th Court | Milwaukee, WI 53225  
PHONE: 414.464.6200 | FAX: 414.464.9863 | TOLL-FREE: 800.558.7068  
[www.marathonddoors.com](http://www.marathonddoors.com)



# MODEL 109E

HYDRAROL™ High Speed Low Profile  
Rigid Roll-Up Door Direct Drive Operation  
**MODEL 109E POWER**

## DESIGN AND CONSTRUCTION

### DOOR SIZES

- Consult factory.

### PANEL CONSTRUCTION

- High density foam in place insulated slats with a "K" factor of .12 at 75°.

### OPERATION

- PLC control panel.
- 2-speed operation.  
open - up to 42"/sec.  
close - 21"/sec.
- High output electric direct drive 3 h.p. totally enclosed motor available.
- NEMA 4 fiberglass control box.

### PERFORMANCE FEATURES (POWER MODELS)

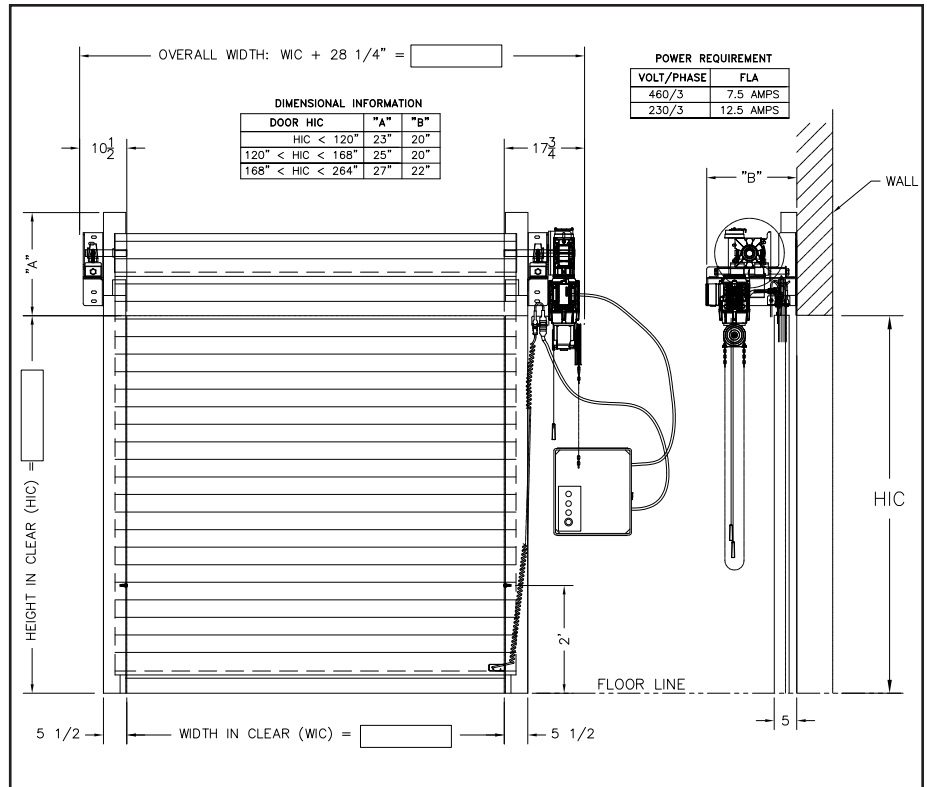
- Reversing edge for instant stop/reverse.
- Send and receive reversing photoeye.

### WARRANTY

- One year limited warranty.

### OPTIONS

- Rigid non-insulated anodized aluminum slats.
- Light Screen.
- Activation Devices:  
Pull Cord.  
Single Push Button.  
Photoeye.  
Radio Control.  
Loop Detector.  
Pre-announce to close kit (light or alarm/or combo).  
Motion Detector.
- Adjustable time delay close with auto close feature.
- Custom operator location available.
- Window slats in 4 slat increments.  
(Custom configurations available.)
- Operator and barrel shrouds.
- Custom colors.



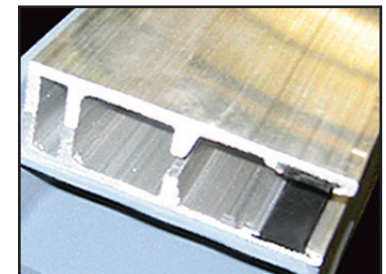
Standard dimensions shown. For tighter clearances, consult factory.



**PROGRAMMABLE LOGIC CONTROL SYSTEM**  
Allows interface with building security systems.



**OPTIONAL POLYCARBONATE WINDOW SLATS**  
Allow visibility without compromising security.



**NYLON SIDE GUIDE STRIPS**  
Eliminate metal-to-metal contact with slats.

### HIGH PERFORMANCE DOORS FOR THE LONG RUN

Marathon Doors | An ASI Technologies, Inc. Company  
5848 North 95th Court | Milwaukee, WI 53225  
PHONE: 414.464.6200 | FAX: 414.464.9863 | TOLL-FREE: 800.558.7068  
[www.marathonddoors.com](http://www.marathonddoors.com)